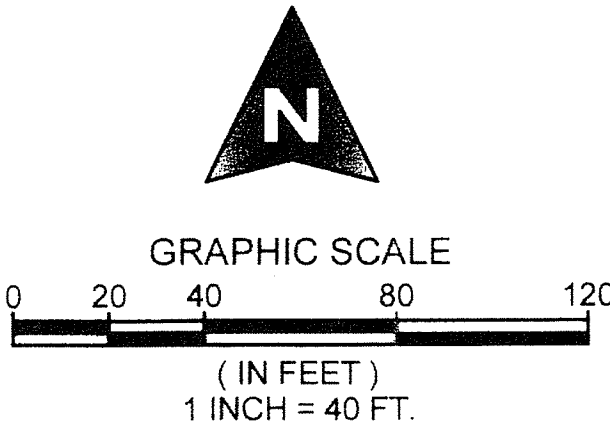


# ARDEN P.U.D. POD A EAST AND POD B EAST

BEING A REPLAT OF A PORTION OF TRACT "FD", ARDEN PLAT 1, AS RECORDED IN PLAT BOOK 122, PAGES 32 THROUGH 51, PUBLIC RECORDS OF PALM BEACH COUNTY, FLORIDA, AND LYING IN SECTIONS, 28 AND 33, TOWNSHIP 43 SOUTH, RANGE 40 EAST, PALM BEACH COUNTY, FLORIDA.



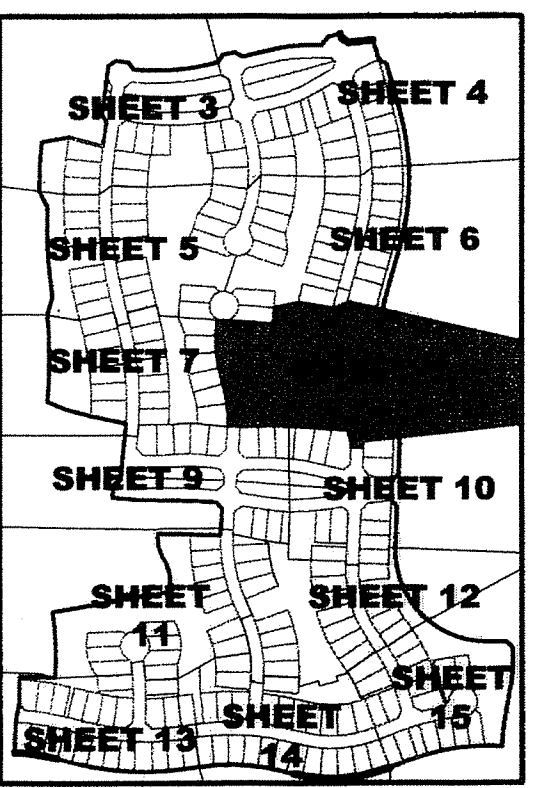
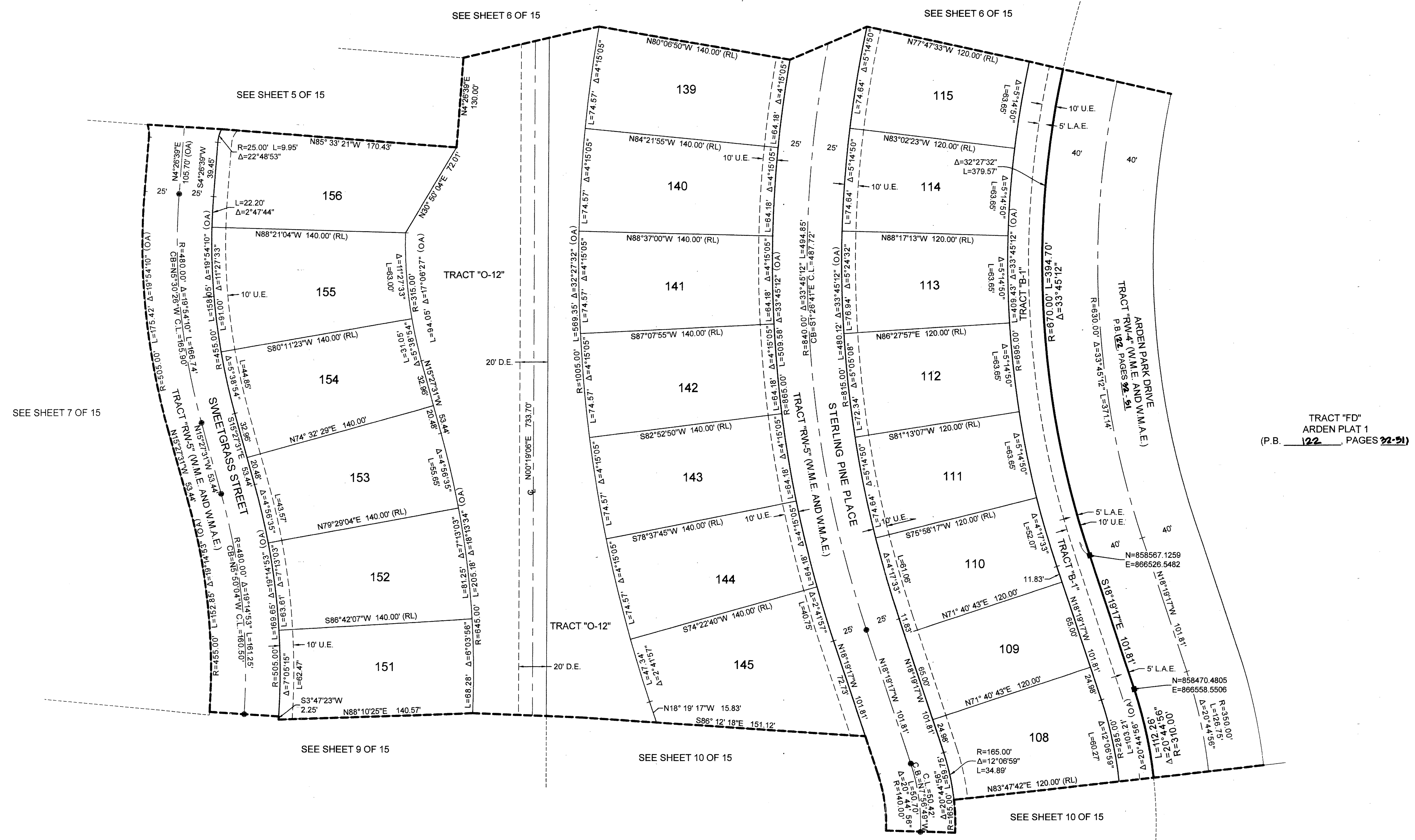
# 71

COUNTY OF PALM BEACH )  
 STATE OF FLORIDA ) SS

THIS PLAT WAS FILED FOR RECORD AT \_\_\_\_\_ M. THIS DAY OF \_\_\_\_\_, 2016, AND DULY RECORDED IN PLAT BOOK NO. \_\_\_\_\_ ON PAGE \_\_\_\_\_ THRU \_\_\_\_\_

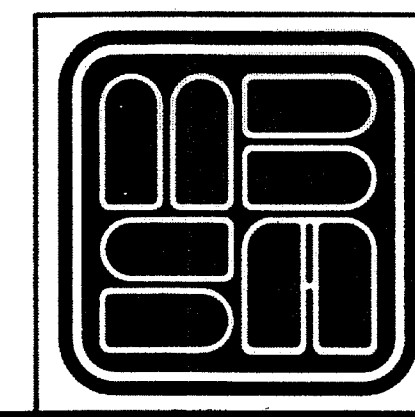
SHARON R. BOCK,  
 CLERK AND COMPTROLLER

BY: \_\_\_\_\_ D.C.



KEY MAP NOT TO SCALE

TRACT "FD" ARDEN PLAT 1 (P.B. 122, PAGES 32-51)



**MICHAEL B. SCHORAH & ASSOCIATES, INC.**  
 1850 FOREST HILL BLVD., SUITE 206  
 WEST PALM BEACH, FLORIDA 33406  
 EB# 2438 TEL. (561) 968-0080 FAX. (561) 642-9726 LB# 2438